

KGK JET CCS3000

Small Character Industrial Ink Jet Printer



<http://www.kgkjetindia.com>



Removable 10.4" coloured touch panel

IP65 complied

Powered by SMS™

Designed for high speed

Control 16 units by 1 master

USB memory support



KGK JET CCS3000

10.4 inch coloured touch screen can be separated from host for operation, making the operation more convenient.



Deliver beauty of functionalities and reliability

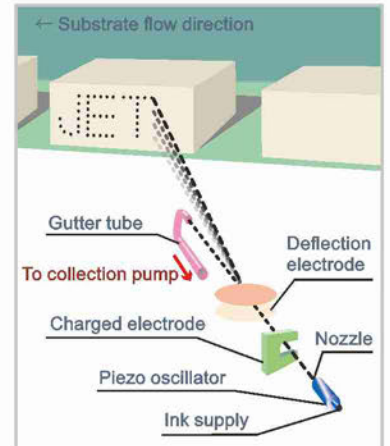
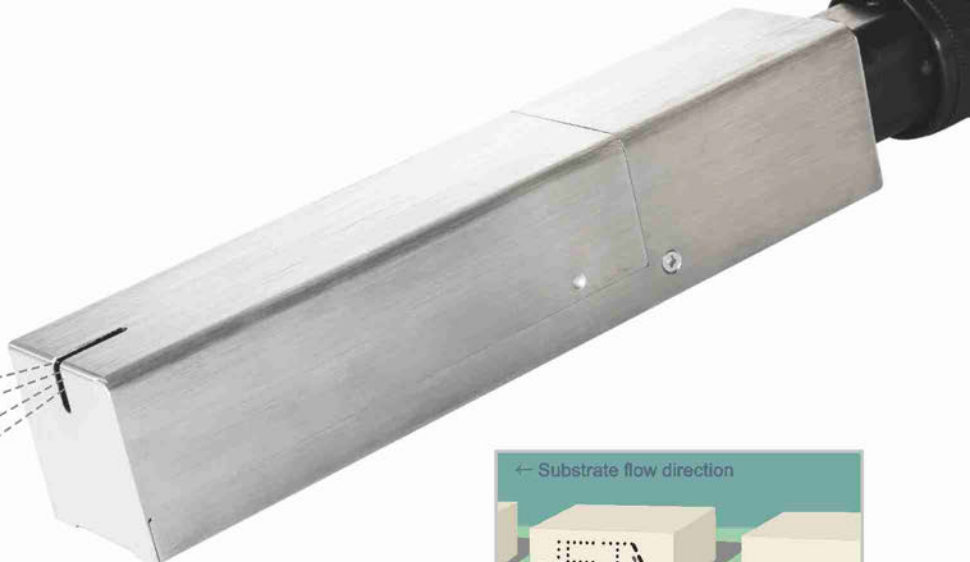
The CCS 3000 carries advanced functionalities and an intuitive user interface, and it is a premier inkjet machine. The associated software also supports numerous languages and Ethernet support ensures that communication speed is high. External USB support and connections are present and the printer can print even QR codes and data matrix.



Sturdy N-Type Nozzle

Significantly reduce operating cost
available in 40µm / 50µm / 60µm nozzle

0123456789
ABCDEFGHIJ



Working principle of Continuous Charging System

- The ink is continuously passed through nozzle at pressure and crystal oscillator creates ink droplets at fixed interval.
- The electric electrode ensure that every ink droplet is charged negatively.
- These negatively charged ink droplets are deflected by high voltage electrode to exit from print head.
- Charged ink droplet falls on moving substrate to form the print.
- The uncharged ink droplet returns to the ink tank through gutter tube.



Automatic Nozzle Capping™ Technology

KGK Jet Patented Nozzle Capping Technology automatically close the nozzle with gutter, if the printer is not in use. This prevents ink getting exposed to external environment and contamination resulting significant savings for customers.

Printing



Gutter position during running condition

Shutdown in progress



Gutter position in moving condition

Nozzle Sealed



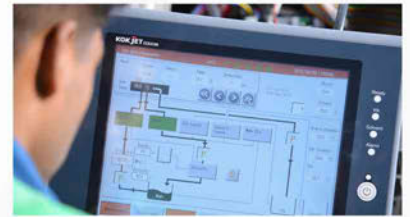
Gutter position In off condition

Simple, Efficient, Stable, Energy Saving and Environment Friendly

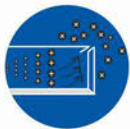
Scheduler: Auto Start & Stop



Designed to start the machine immediately even if machine is not operated for very long time. The customer just needs to keep the power supply ON. As per set schedule time, machine will start automatically and calibrate parameters like fluid viscosity and check the drop formation as well as charging mechanism. This entire process will take less than 40 second. No service engineer visit is required resulting in longer up time for the machine.



Stable coding even in humid and dusty environment



Positive air pressure inside the print-head, keeps dust and humidity out, resulting in no contamination of head and ink. Operators need not clean print-head before start.



Superior printing function



A single nozzle has a maximum longitudinal marginal space of 26 dots which is flexible to meet special information compilation requirements. Customers can freely edit 1-6 lines of text, serial number, linear bar code as well as graphics, logo & QR code.



Extended language support & Weighing machine connectivity



Language support for both software & hardware including English, Arabic, Chinese, Korean, Italian, German, Spanish, Iranian & Turkish.

Simple & convenient to integrate with on-line or off-line check-weigher machine of any brand through RS-232, TCP/IP(LAN) with the support of weighing machine suppliers.

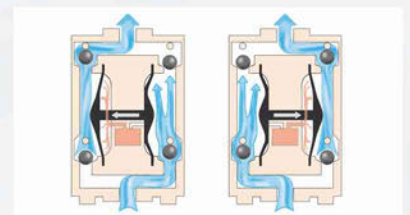


Unique diaphragm pump advantage



KGK Jet use diaphragm pump to generate pressure of delivery system. Diaphragm pump are 97% efficient and considered more reliable over geared pump.

These pumps generate no heat due to friction and provide stable ink composition for KGK Jet machines, also minimal evaporation of ink & solvent results in more savings.



In-house ink development & production



KGK Jet has developed its own ink in response to the various needs of the market In addition to regular inks, we manufacture Food Grade ink, UV ink/Stealth ink also.



Tailor-Made intelligent data communication



Easy integration with customer ERP system or database. Linked through customised special integration software which provide various access right, report generation as well as mailing report to concern team for continuous & batch production.

This in turn allows faster product setup and changeover times, and eliminates recalls and reworking caused by operator error.



Service Management System (SMS)

In-built value-added feature which triggers for a service request



Service Management System SMS is inbuilt diagnostic tool, a value-added feature of KGK Jet CIJ machine. KGK is committed to the reliability of machine, running cost, timely Preventive Maintenance & uptime of machine in which SMS play an important role. The objective of Service Management System (SMS) is to provide uninterrupted & best quality output.

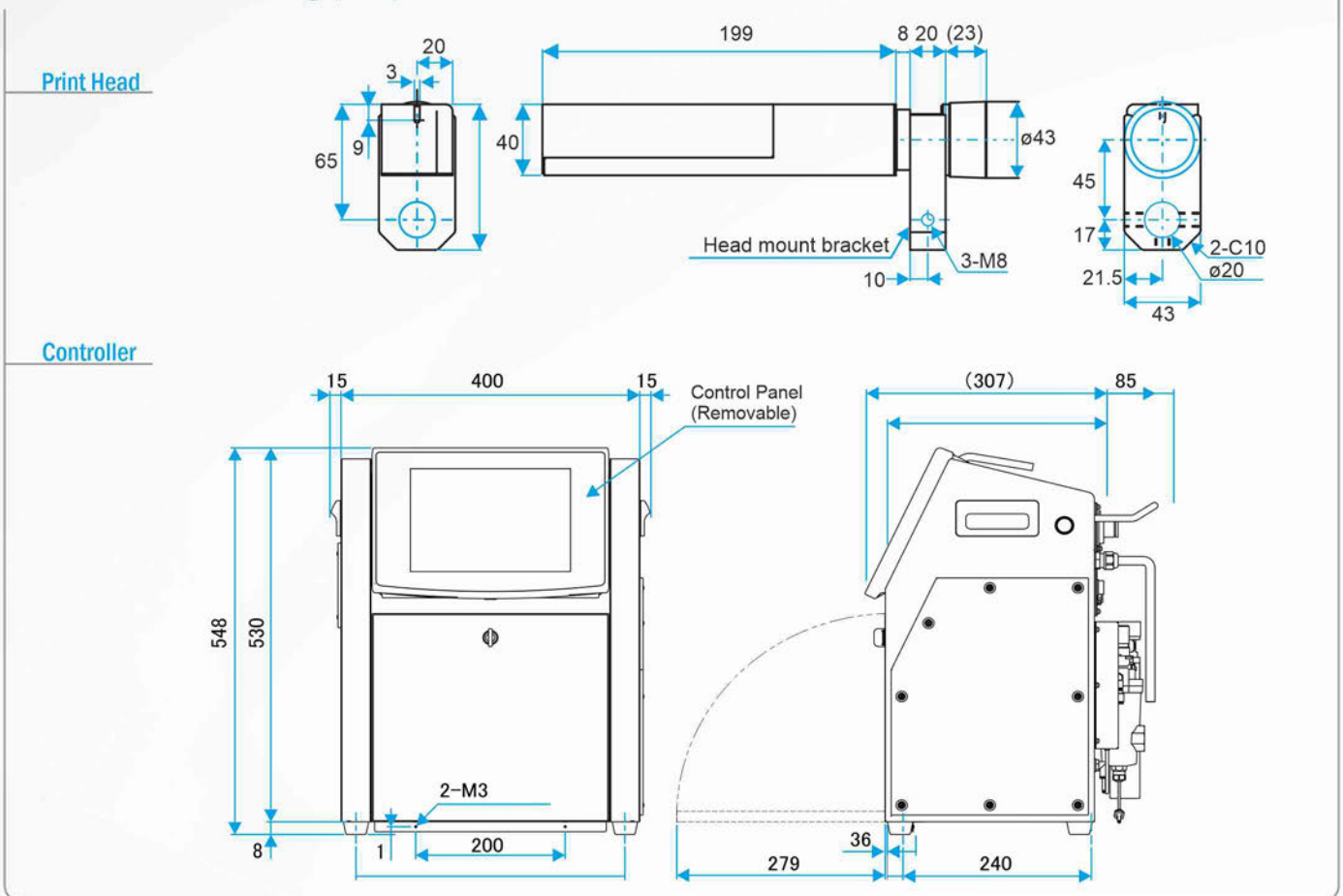
Key Benefits

- Preventive Maintenance for maximum uptime
- Pro-active assistance
- Remote assistance for operators'
- Eliminates operators' errors

How Service Management System Works



Dimensional Drawing (mm)



Specifications

Model	Dye standard machine	Pigment machine	Egg machine
Model name	CCS3000-D	CCS3000-P	CCS3000-EG
Corresponding inks	Dye inks		Edible ink
Dustproof waterproof	IP65	IP65	IP65
CE Marking	Corresponding	Corresponding	Corresponding
RoHS	Support		
Screen size	10.4 colour LCD / touch panel		
Operation panel cable length	3.5m	3.5m	3.5m
Corresponding nozzles	40µm / 50µm / 60µm	50µm / 60µm	60µm
Character height	0.8-5mm (40-µm nozzle), 1-10mm (50-µm nozzle), 2-10 (60-µm nozzle)		
Max printing speed [characters/second] (5x5 dot with spac of 1 dot)	2666 (40-µm nozzle), 2041 (50µm nozzle), 1780 (60µm nozzle)		
Number of printed stages and the dot configuration	[1~6 Lines] 5x5, [1~4 Lines] 7x5, 7x8, [1~3 Lines] 9x7, 9x9, 10x8, 12x10 [1~2 Lines] 16x12, 16x16, [1 Lines] 24x18, 24x24, 32x24, 32x32		
Number of message to store	Max 999 message		
Number of characters for message to store	Max 4096 characters		
Printable Character	Alphabet (upper case/lower case), numbers, symbols, Japanese hiragana, katakana, kanji (JIS class 1 and 2), Simplified Chinese (GB2312), the user characters.		
Expiry date/time	Western calendar, other calendar, year/month/date, day of the week, hours (12 or 24 hour system), consecutive dates all year round, consecutive ordinal number of weeks all year round, early/mid/late month (can change the duration), am/pm, characters can be substituted by other characters (Year, month, date, hour, minute, second or day of the week can be substituted by other characters between 4 and 15 digits) and shift code.		
Numbering	Max. 10 digits, given initial value can be set, counting up/down, carry over to the upper digit (can set as one count by the number of substrates between 1 and 9,999. Zero-suppression: zero in the upper digit can be substituted by space or all characters following zero will be moved forward by eliminating the space for zero.). Characters for numbering can be substituted by other characters than numbers, Positional numeral system between binary and hex. decimal.		
Measured length of substrate	Printable up to 10 digit, can be split by inserting a given character between number.		
Bar code	ITF, NW-7, JAN, Code128		
Two dimensional code	QR Code, data matrix		
Japanese Kana-Kanji conversion	Yes		
External connection	I/O, Signal light, RS-232C, LAN, Encoder, UPS, USB memory		
Data input	Touch panel, RS-232C communication, Ethernet		
Communication function	RS-232C 1CH maximum 115,200bps, Ethernet		
Head cable length	3.5m		
Multi-control	A maximum of 16 cordless handset (slave) control is possible with one main (master). [Controllable function] start / stop, power OFF, system clock setting, message selection, printing content editing, numbering current value setting.		
Dry air source for air purging in head	Use 6mm or 8mm outer tube diameter tube, Air flow rate: less than 10L / Min or lower, provided with air ventilator		
Net Dimensions Main body (mm)	Main part: 400Wx347Dx548H (excluding projection) Print Head:40Wx199Dx40H		
Environmental conditions	0-40°C, 10 to 85% RH but no dew condensation		
Power supply	AC90~264V (47~63Hz) 80W		
Net weight	25kg		
Grounding	Type D		

KGK Jet reserve the right to amend design or specifications without notice.



KGK Jet India Private Limited

Head Office / Works

Plot No: A-29, SIPCOT Industrial Growth Center, Oragadam, Sriperumbuthur, Kancheepuram, Tamil Nadu 602105, India

- ✦ marketing@kgkjetindia.com
- ✦ info@kgkjetindia.com
- ✦ www.kgkjetindia.com

Region North: Cabin # 11, Ground Floor, Logix Techno Park, Plot No. 5 Sector 127, Tower-B, Sector 127, Noida, Uttar Pradesh 201301

Region East: PS QUBE, Unit No- 604, 6th Floor, Plot Number: II D/31/1, Street No: 1111, New Town, Action Area-II D, Kolkata, West Bengal 700156

Region South: Plot No: A-29, SIPCOT Industrial Growth Center, Oragadam, Sriperumbuthur, Kancheepuram, Tamil Nadu 602105

Region West: Horizon Flora, Office No. 1 & 2, 2nd Floor, Ghodbunder Rd, Bhayandarpada, Thane West, Mumbai, Maharashtra 400615



+91 78239 71747

+91 98403 42033

Sales



+91 044 6714 1234

Tech Support